

Comparison Table

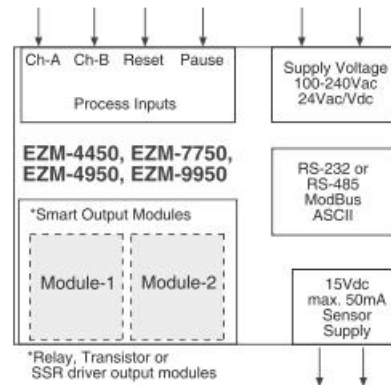
Order Code		EZM-4450	EZM-7750	EZM-4950	EZM-9950	EZM-4430	EZM-7730	EZM-4930	EZM-9930	EZM-4931	EZM-4435	EZM-7735	EZM-4935	EZM-9935	ERM-3770
A	BC	D	E	/	FG	HI	/	U	V	W	Z				
	00			/			/	0	0	0	0				
A Supply Voltage															
1	100-240Vac (-%15, +%10) 50/60Hz														
2	24Vac/Vdc (-%15, +%10) 50/60Hz														
3	24Vac (-%15, +%10) 50/60Hz														
4	115Vac (-%15, +%10) 50/60Hz														
5	230Vac (-%15, +%10) 50/60Hz														
D Serial Communication															
0	None														
1	RS-232 ModBus ASCII														
2	RS-485 ModBus ASCII														
E Process Output-1															
0	None														
1	Relay Output														
FG Modules Output-1															
00	None														
01	Relay Output														
02	SSR Driver Output (max. 20mA@12Vdc)														
03	Digital (Transistor) Output (max. 40mA@18Vdc)														
HI Modules Output-2															
00	None														
01	Relay Output														
02	SSR Driver Output (max. 20mA@12Vdc)														
03	Digital (Transistor) Output (max. 40mA@18Vdc)														
Specifications															
Counter	+														
Total Counter	+														
Batch Counter	+														
Timer	+														
Chronometer	+														
Frequencymeter	+														
Tachometer	+														
Working with automatic and manual reset	+														
Smart Output module system	+														
Ch-A, Ch-B Encoder inputs	+														
Multiplication coefficient and decimal point position	+														
Process display	6	6	6	6	6	6	6	6	6	6	6	6	6	6	4
	digits	digits	digits	digits	digits	digits	digits	digits	digits	digits	digits	digits	digits	digits	digits
SET display	6	6	6	6	6	6	6	6	6	6	6	6	6	6	-
	digits	digits	digits	digits	digits	digits	digits	digits	digits	digits	digits	digits	digits	digits	
Start input	-	-	-	-	-	-	-	-	-	-	+	+	+	+	-
Reset and Pause input	+	+	+	+	+	+	+	+	+	+	+	+	+	+	-
Supply voltage for switch and proximity sensors	+	+	+	+	+	+	+	+	+	+	+	+	+	+	+
Operation with 2 Set values	+	+	+	+	-	-	-	-	+	-	-	-	-	-	-
Password protection for programming section	+	+	+	+	+	+	+	+	+	+	+	+	+	+	+
Dimension															
77x35mm DIN	-	-	-	-	-	-	-	-	-	-	-	-	-	-	+
48x48mm DIN 1/16	+	-	-	-	+	-	-	-	-	-	+	-	-	-	-
72x72mm DIN	-	+	-	-	-	+	-	-	-	-	-	+	-	-	-
96x48mm DIN 1/8	-	-	+	-	-	-	+	-	+	-	-	-	+	-	-
96x96mm DIN 1/4	-	-	-	+	-	-	-	+	-	-	-	-	-	+	-



EZM-7750 EZM-4450
EZM-9950 EZM-4950



- 6 digits process (PV) and 6 digits Set (SV) Value Display
- Reset , Pause and ChA-ChB Counting Inputs
- Configurable Counter, Totalizer Counter, Batch Counter, Timer, Chronometer, Frequencycounter and Tachometer
- Programmable Time Bases for Timer and Chronometer
- Operation with Automatic and Manual Reset
- Multiplication Coefficient and Decimal Point Position
- Absolute or Offset Operation in Counter Function
- Different Alarm Alternatives in Frequencycounter and Cycle Measuring Functions
- INC, DEC, INC / INC, INC / DEC, UP / DOWN, x1 / x2 / x4 Counting with Phase Shifting Property in Counter
- RS-232 (standard) or RS-485 (optional) Serial Communication with Modbus ASCII or RTU Protocol



Specification

Input

Counting Inputs: Ch-A, Ch-B (Switch, proximity, capacitive sensor or encoder can be connected.)
 Reset Input: Switch, proximity or capacitive sensor
 Pause Input: Switch, proximity or capacitive sensor
 Input Type Selection: It can be selected NPN/PNP with DIP switch that is located on the device.
 Reset Function: Automatic or manual
 Count Input Types: INC, DEC, INC/DEC, INC/INC, UP/DOWN, x1 / x2 / x4 phase shifting (for incremental encoder) counting

Supply Voltage

100-240Vac (-%15;+10%) 50/60 Hz-6VA
 24Vac (-%15;+10%) 50/60 Hz-6VA
 24Vdc (-%15;+10%) -6W

Environmental Ratings and Physical Specification

Operating Temperature: 0...50°C
 Humidity: 0-90%RH (none condensing)
 Protection Class: IP65 at front, IP20 at rear

Dimensions

EZM-4450, 48x48mm, Depth: 116mm
 EZM-7750, 72x72mm, Depth: 87,5mm
 EZM-9950, 96x96mm, Depth: 87,5mm
 EZM-4950, 96x48mm, Depth: 86,5mm

Output

Output Modules: There are two module sockets for plugging the output modules.

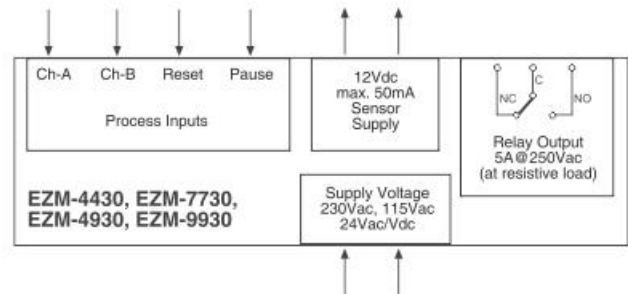
- Relay Output Module
- SSR Output Module (Max.20mA @ 18Vdc)
- Digital(Transistor) Output Module(Max.40 mA @ 18Vdc)

Single SET Programmable Counters

EZM-4430 EZM-7730
EZM-4930 EZM-9930



- 6 digits process (PV) and 6 digits Set (SV) Value Display
- Operation with 1 Set Value
- Reset, Pause and ChA-ChB Counting Inputs
- NPN/PNP Type Operation
- Operation with Automatic and Manual Reset
- INC, DEC, INC/INC, INC/DEC, UP/DOWN, x1 / x2 / x4 Counting with Phase Shifting Property
- Multiplication Coefficient and Decimal Point Position



Specification

Input

Counting Inputs(Ch-A, Ch-B): Switch, proximity, capacitive sensor or encoder can be connected.

Reset Input: Switch, proximity or capacitive sensor can be connected.

Pause Input: Switch, proximity or capacitive sensor can be connected.

Sensor Type Selection: NPN or PNP can be selected.

Reset Function: Automatic or Manual

Count Input Types and Maximum Frequency:

INC, DEC, INC/DEC, INC/INC, UP/DOWN Max. 20kHz.

x1 / x2 / x4: phase shifting (for encoder) counting;

Maximum 10kHz.

Output

Process Output: Relay (5A@250Vac) Resistive Load

Supply Voltage

230 Vac (-%15;+10%) 50/60 Hz - 2.3VA

115 Vac (-%15;+10%) 50/60 Hz - 2.3VA

24 Vac (-%15;+10%) 50/60 Hz - 2.3VA

24 Vac/dc (-%15;+10%) 50/60 Hz - 2.3VA

(Must be determined in order)

Environmental Ratings and Physical Specification

Operating Temperature: 0...50°C

Humidity: 0-90%RH (non condensing)

Protection Class: IP65 at Front, IP20 at rear

Dimensions

EZM-4430, 48x48mm, Depth: 116mm

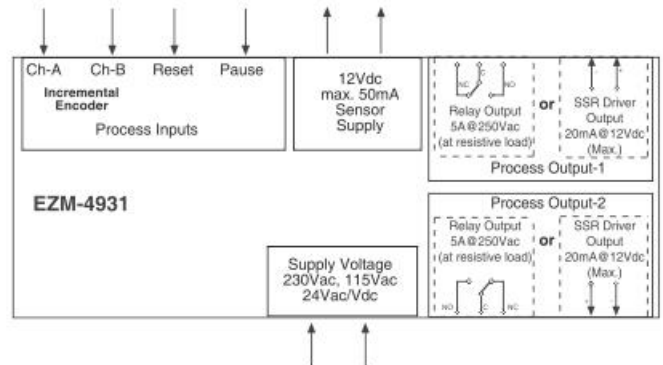
EZM-7730, 72x72mm, Depth: 87,5mm

EZM-9930, 96x96mm, Depth: 87,5mm

EZM-4930, 96x48mm, Depth: 86,5mm



- Incremental Encoder Input
- Operation with 2 SET Values
- 6 digits process (PV) and 6 digits SET (SV) Value Display
- Reset, Pause and ChA-ChB Counting Inputs
- Operation with Automatic and Manual Reset
- NPN/PNP Input Types
- x1 / x2 / x4 Phase Shifting Property
- Multiplication Coefficient, Division Coefficient and Point Position
- Parametric, Two Point (Low Scale - High Scale) and Multiplication - Division Coefficient
- RS-232 Serial Communication with ModBus RTU Protocol
- Input Frequency Max. 200KHz
- Maximum Input Frequency Selection
- Password Protection for Program Parameters



Specification

Inputs

Reset Input: Switch, proximity or capacitive sensor can be connected.
 Pause Input: Switch, proximity or capacitive sensor can be connected.
 Encoder Input: Incremental
 Sensor Type Selection: NPN or PNP can be selected.

Output

Process Output: Relay (5A @ 250Vac at resistive load)
 SSR Output (10mA @ 5Vdc)

Environmental Ratings and Physical Specification

Operating Temperature: 0...50°C
 Humidity : 0-90%RH (non condensing)
 Protection Class: Ip65 at Front, Ip20 at rear

Dimensions

EZM-4931, 96x48mm, Depth: 86,5mm

Supply Voltage

230 Vac (-15%;+10%) 50/60 Hz - 2.3VA
 115 Vac (-15%;+10%) 50/60 Hz - 2.3VA
 24 Vac (-15%;+10%) 50/60 Hz - 2.3VA
 (Must be determined in order)
 Encoder Supply Voltage:
 5Vdc or 12 Vdc (Max. 50mA)