

# Voltmeters

EVM / EVM-R Series




EVM-35



EVM-3S-48



EVM-R3C

- 24 ~ 250 VAC/DC (for EVM-35/15)
- Measurement Range with Transformer 1-40 kV (for EVM-35/15)
- Class 0,5 (for EVM-35/15)
- IP54 (for EVM-35/15)
- True RMS Measurement
- Double Insulation (  ),
- Measurement Category III
- Operating Temperature : -5°C / +50°C, -5°C, +70°C (for EVM15/35)



## PRODUCT SELECTION TABLE

Product Code		Selectable 3-phase	3 ~ Voltage	1 ~ Voltage	Max. Value	Min. Value	Output Contact	24 ~ 250 VAC/DC	Front Panel Mounting	Rail Mounting	Pcs / Box
EVM-3-48	Voltmeter			●	●	●			●		20
EVM-3-72	Voltmeter			●	●	●			●		16
EVM-3-96	Voltmeter			●	●	●			●		12
EVM-3C-48	Voltmeter (with Output Contact)			●	●	●	●		●		20
EVM-3C-72	Voltmeter (with Output Contact)			●	●	●	●		●		16
EVM-3C-96	Voltmeter (with Output Contact )			●	●	●	●		●		12
EVM-3S-48	3-Phase Selectable Voltmeter	●							●		20
EVM-3S-72	3-Phase Selectable Voltmeter	●							●		16
EVM-3S-96	3-Phase Selectable Voltmeter	●							●		12
EVM-R3	Voltmeter (Rail Mounted)			●	●	●				●	16
EVM-R3C	Voltmeter with Output Contact (Rail Mounted)			●	●	●	●			●	16
EVM-R3S	3-Phase Selectable Voltmeter (Rail Mounted)	●								●	16
EVM-15-96	Voltmeter (Class 0,5)			●				●	●		8
EVM-35-96	3-Phase Voltmeter (Class 0,5 )		●					●	●		12

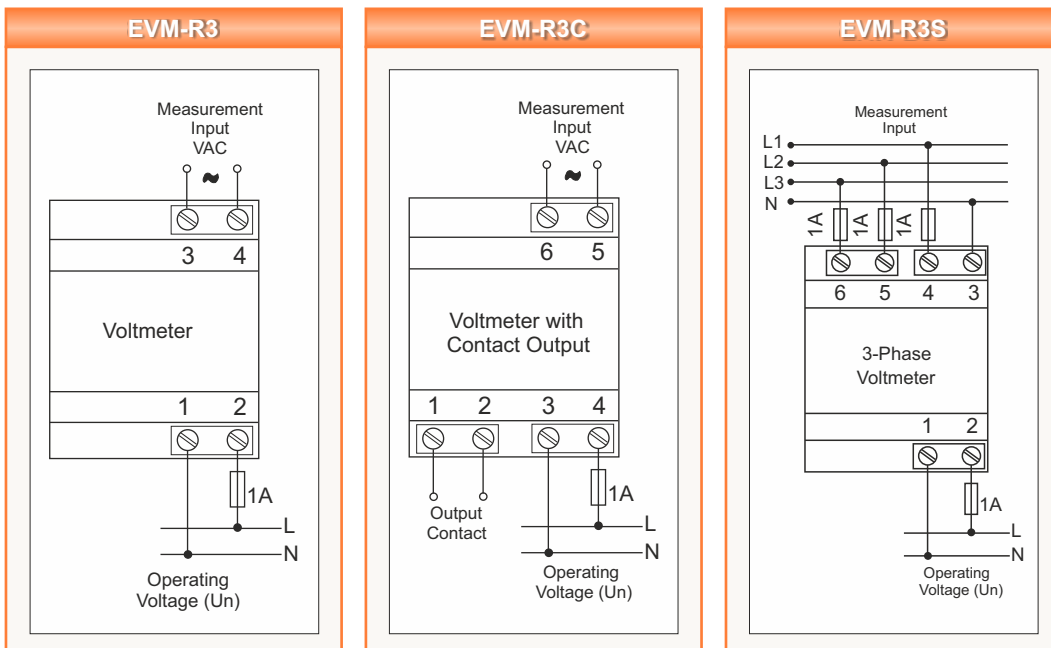
# Voltmeters

EVM / EVM-R Series

## SPECIFICATIONS

	EVM-3	EVM-3C	EVM-3S	EVM-35	EVM-R3	EVM-R3C	EVM-R3S
<b>ENCLOSURE</b>							
Dimensions	72x72mm PR18; Slim96 PR25, 48x96mm PR20			96x96mm PR19		DIN3 TYPE PK20	
Weight	0,28kg/pcs (PR18), 0,30kg/pcs (PR25), 0,25kg/pcs (PR20)			0,34kg/pcs		0,25kg/pcs PK20	
<b>MEASUREMENT</b>							
Voltage							
Measurement Range	10-600 VAC		10-300 VAC(L-N) 10-500 VAC(L-L)	1-300 VAC(L-N) 2-500 VAC(L-L)	10-600 VAC		10-300 VAC(L-N) 10-500 VAC(L-L)
Accuracy	1%±1digit			0,5%±1digit		1%±1digit	
Burden(Input Load)	<1VA						
<b>SUPPLY</b>							
Operating Voltage	110 VAC/230 VAC±10%			24-250 VAC/DC		110VAC/230 VAC±10%	
Power Consumption	<4VA						
Operating Frequency	45-65Hz						
<b>OUTPUT</b>							
Delay Time (adjustable)	0-99,9 s					0-99,9 s	
Output Contact	1NO,5A 1250VA					1NO,5A 1250VA	
<b>STANDARDS</b>							
Applied Security Standards	EN 61010						
Applied EMC Standards	EN 61000						
Applied Mechanical Endurance Standards	EN 60529						
<b>AMBIENT CONDITIONS</b>							
Operating Temperature	-5 / +50°C			-5 / +70°C		-5 / +50°C	
Overvoltage Category	III						
<b>CONNECTIONS</b>							
Mounting	Front Panel Mounting				Rail Mounting		
Connection Terminals	Screw with socket				DIN3 Screw		
Connection Types	Single Phase, 2 wires		Three Phases, 4 wires (star)		Single Phase, 2 wires		Three phases, 4 wires (star)

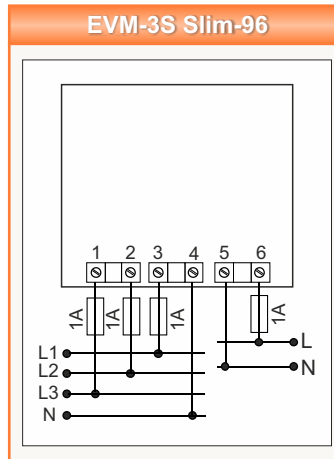
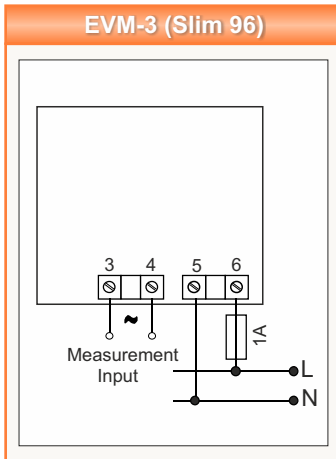
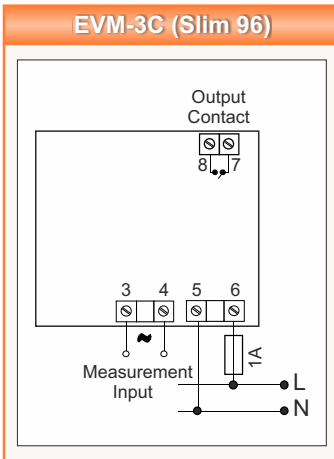
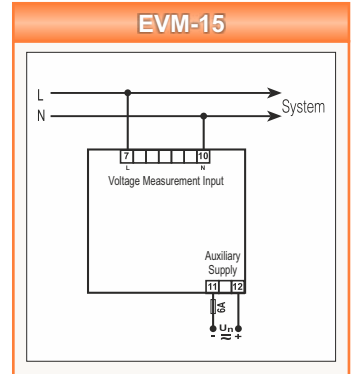
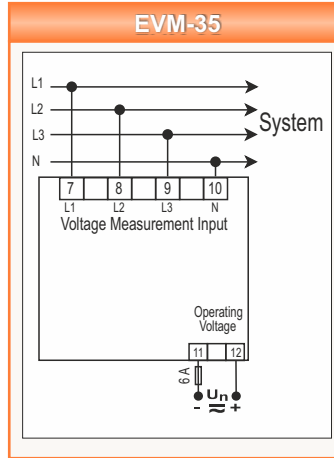
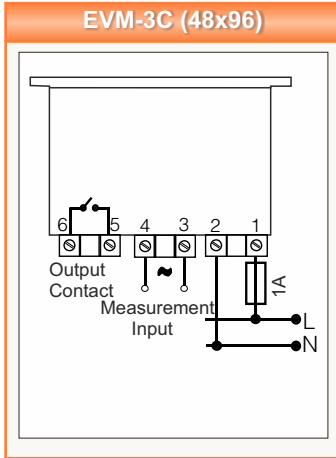
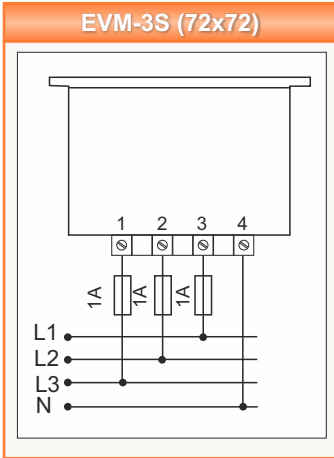
## Connection Diagram



# Voltmeters

EVM / EVM-R Series

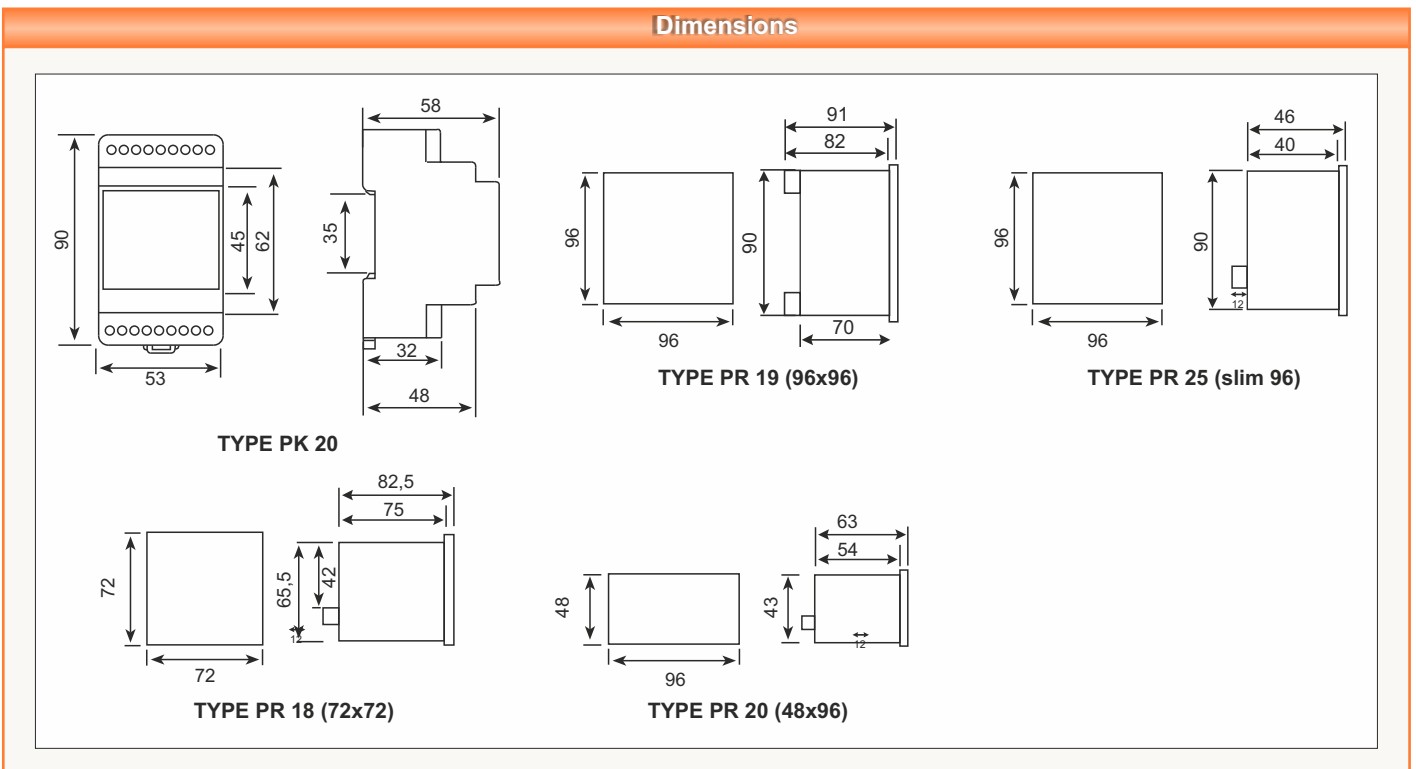
## Connection Diagram



Electrical Measurement



## Dimensions



Connection diagrams are given as references. For the latest connection diagrams, please refer to the user manual or [www.ent.es.com.tr](http://www.ent.es.com.tr).